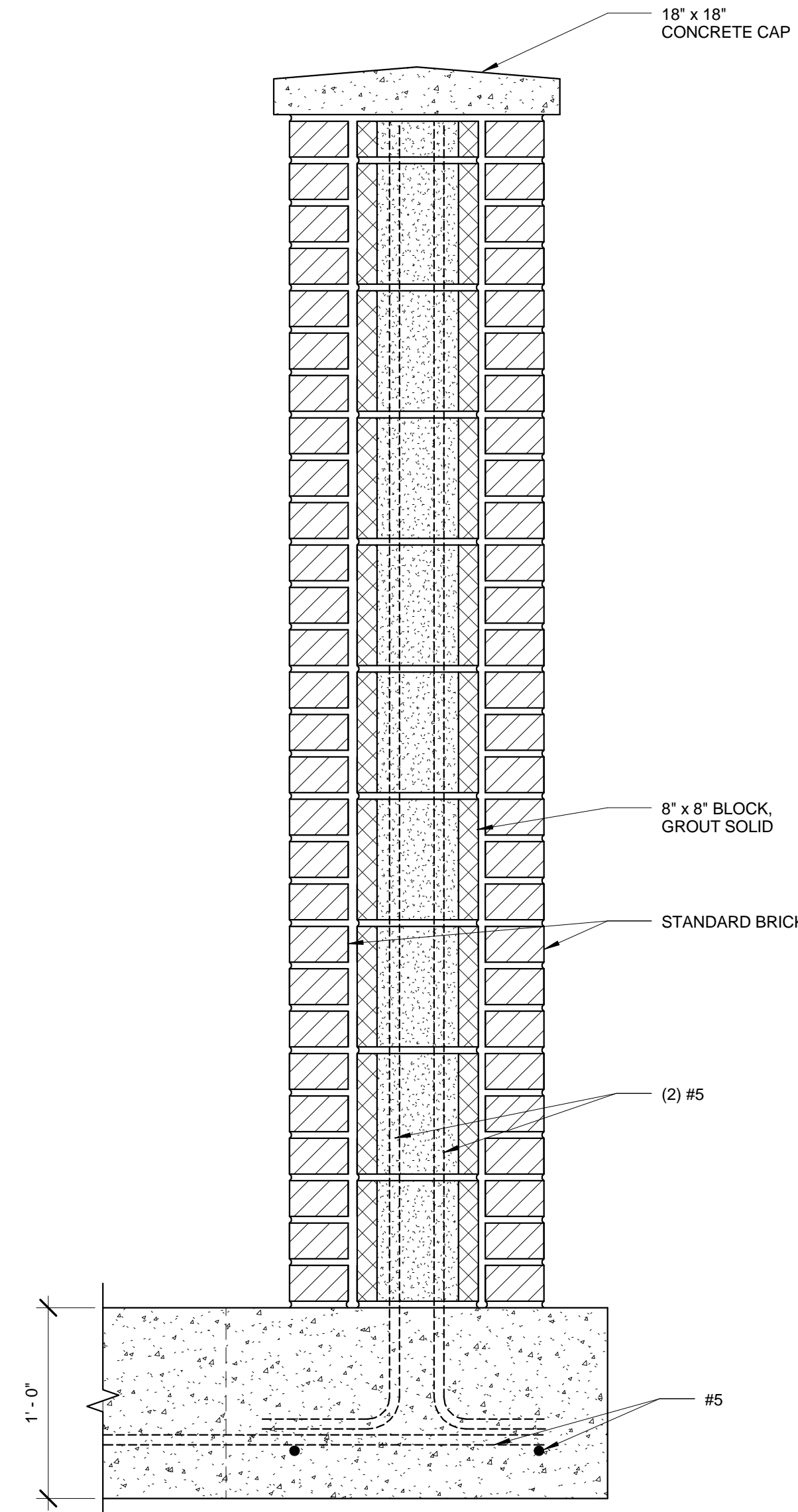
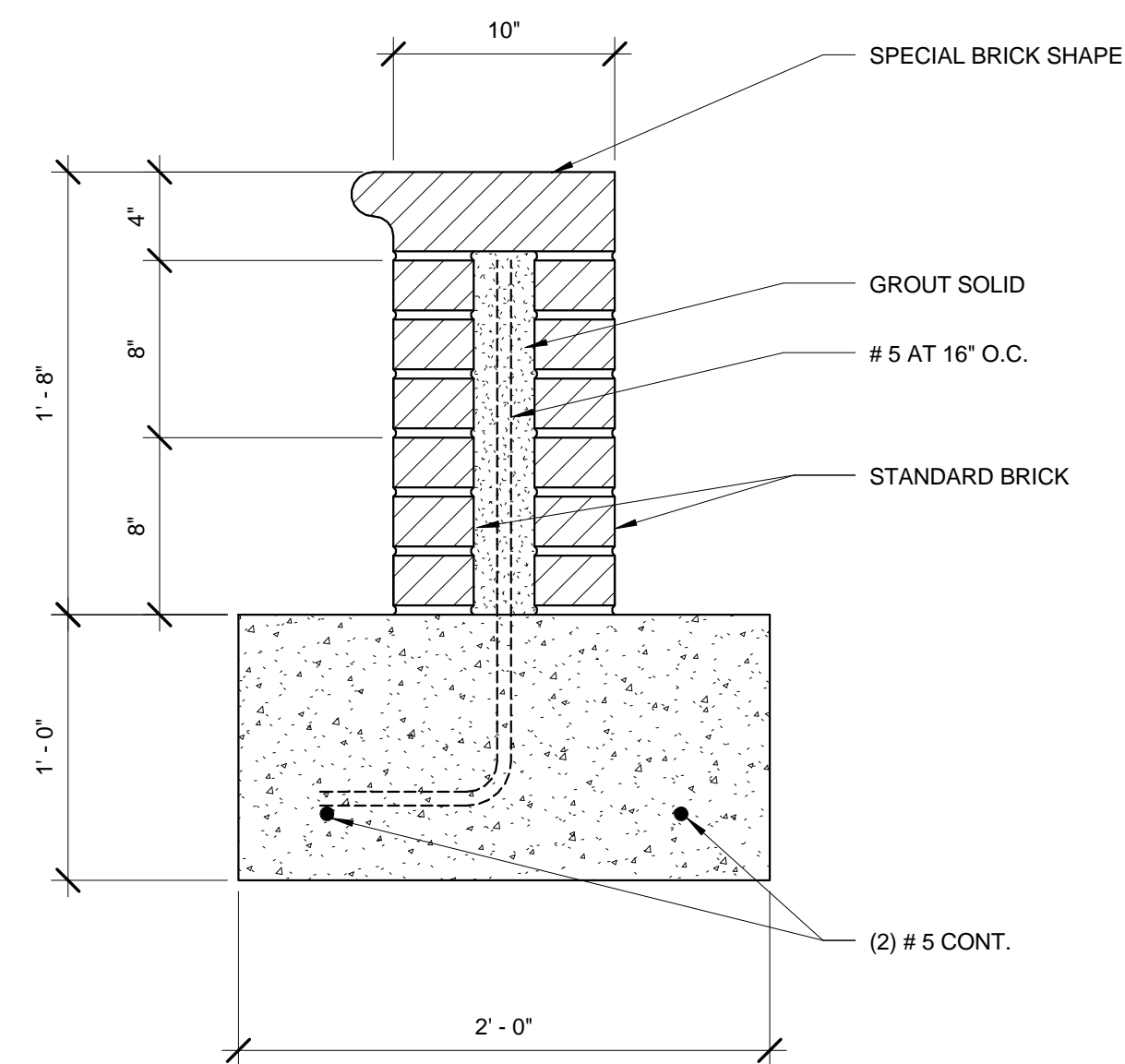


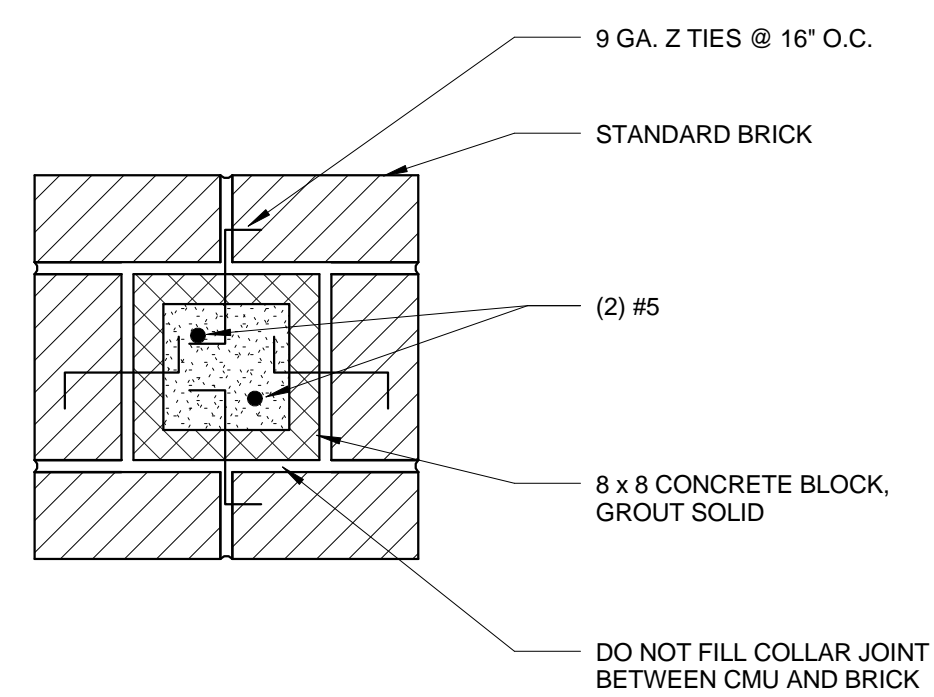
3 SECTION A-A  
1 1/2" = 1'-0"



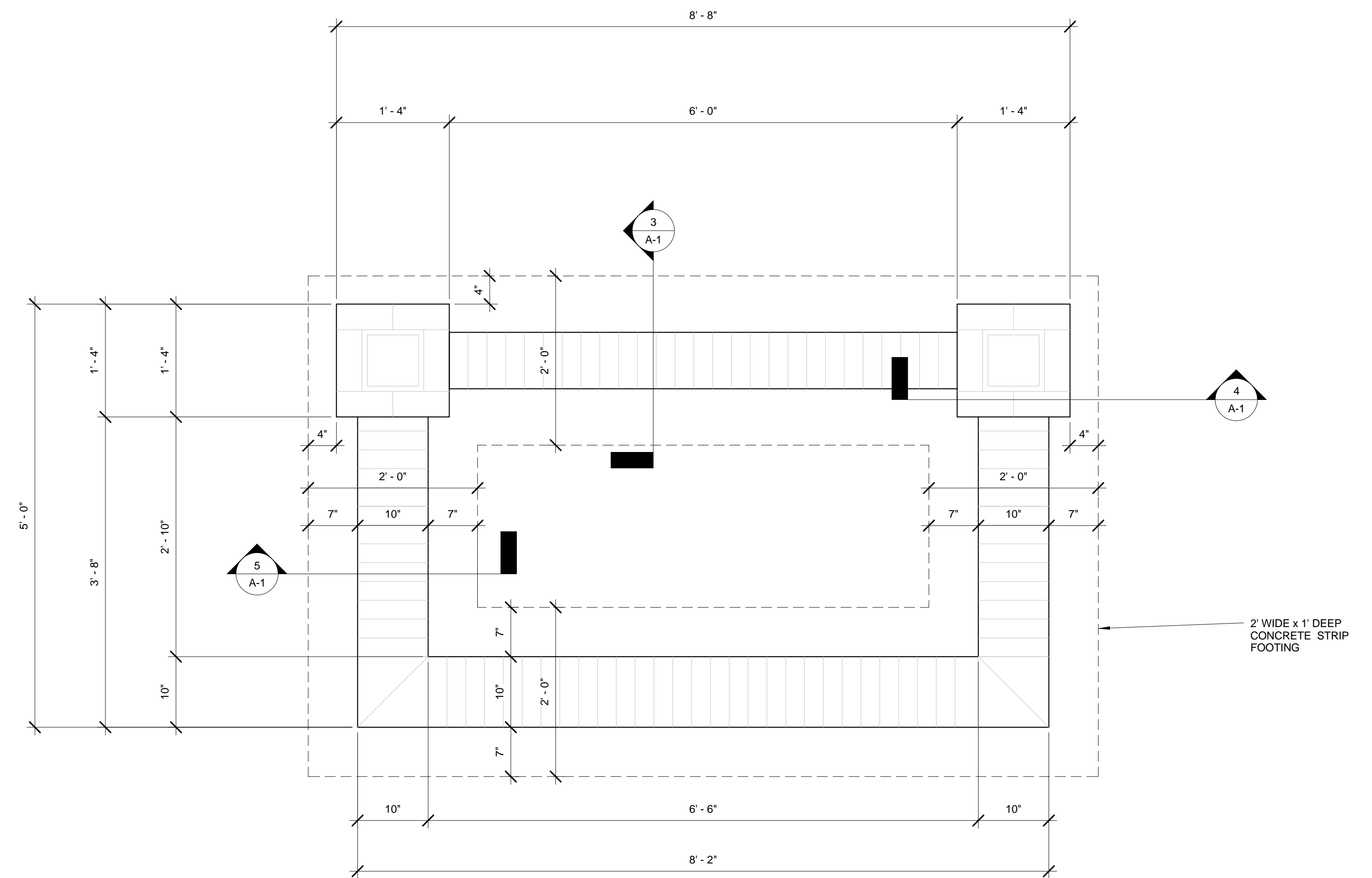
4 SECTION B-B  
1 1/2" = 1'-0"



5 SECTION C-C  
1 1/2" = 1'-0"



6 SECTION D-D  
1 1/2" = 1'-0"



1 PLAN  
1" = 1'-0"



2 FRONT ELEVATION  
1" = 1'-0"